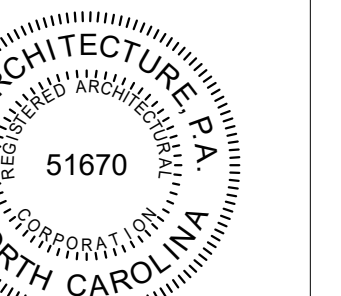


SALAS O'BRIEN
 1620 Midtown Place
 Raleigh, NC 27609
 919-832-8118
 salasobrien.com
 license (NC): F-1434



ARCHITECTURE
 1100 Dresser Court
 Raleigh, NC 27609
 Office 919.828.2301
 Email office@hh-arch.com

**GRAY'S CREEK ELEMENTARY SCHOOL HVAC
 & WINDOW REPLACEMENT
 CUMBERLAND COUNTY SCHOOLS**
 2964 School Rd
 Hope Mills, NC 28348



Project Number:
21-102

Date:
12/23/2021

Designed by: AD Checked by: DC

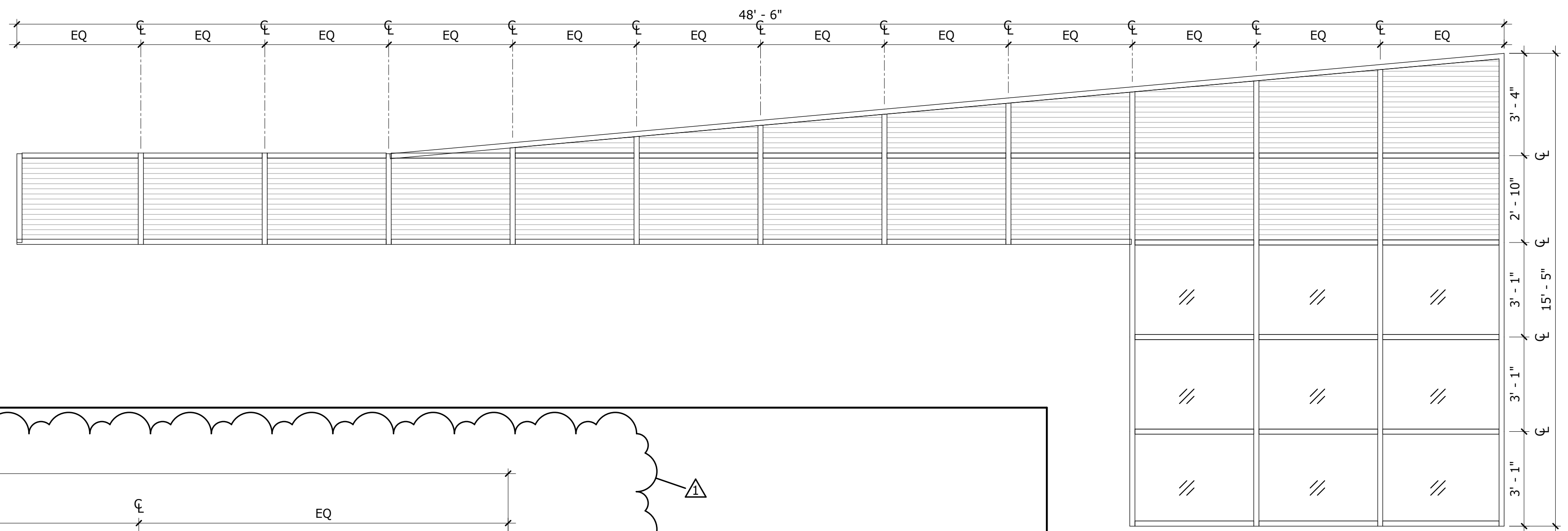
Revisions:
1 | ADDENDUM #1 | 01/19/22

Sheet Title:
**GRAY'S CREEK
 WINDOW
 ELEVATIONS**

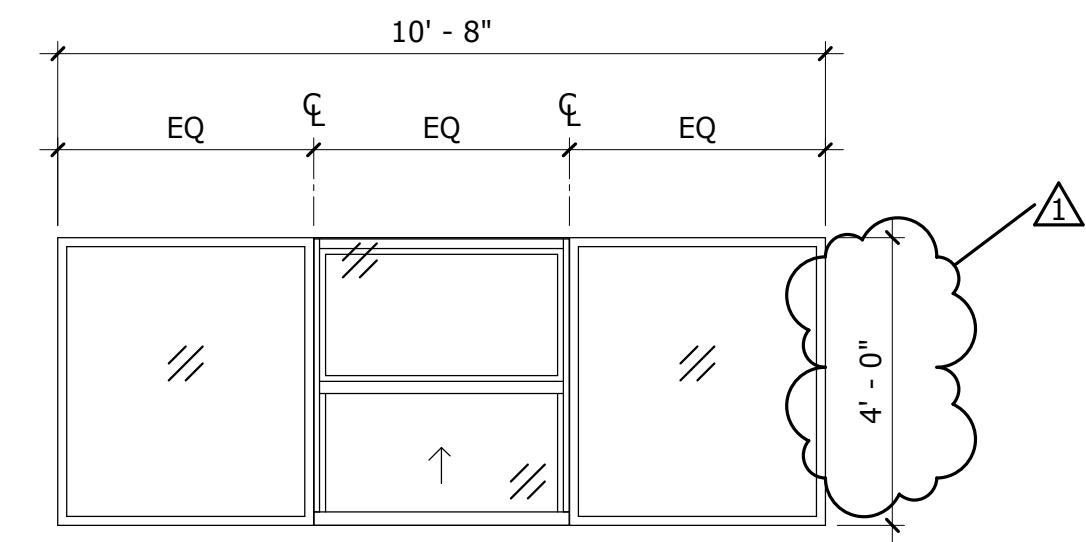
Sheet Number:

A112

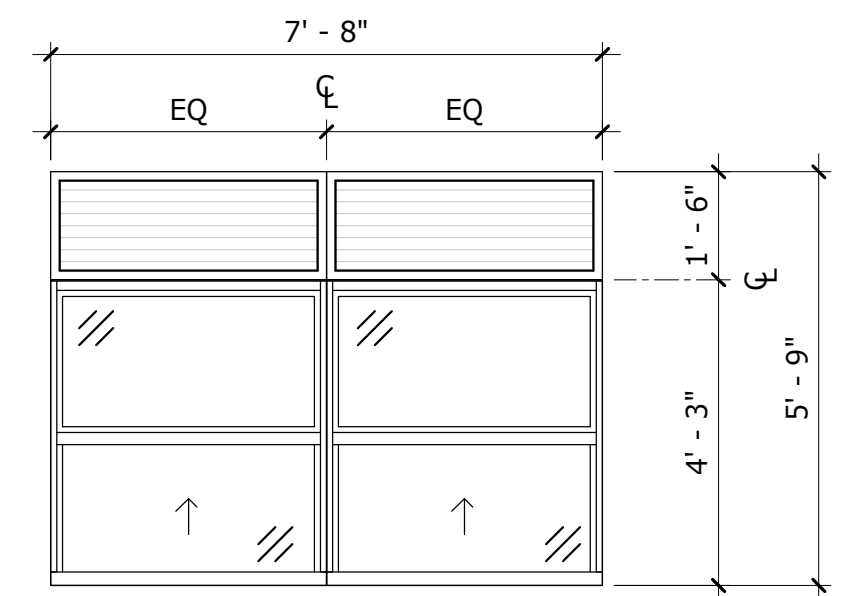
Copyright © 2021 Salas Obrien
 SO Project No.



02 WINDOW J (x2)
 A112 3/8" = 1'-0"



04 WINDOW L (x1)
 A112 3/8" = 1'-0"



06 WINDOW N (x3)
 A112 3/8" = 1'-0"

ELEVATION LEGEND

GLAZING PANEL (G1) BASE BID
 OBSCURED GLASS (G2) - ALT. 1

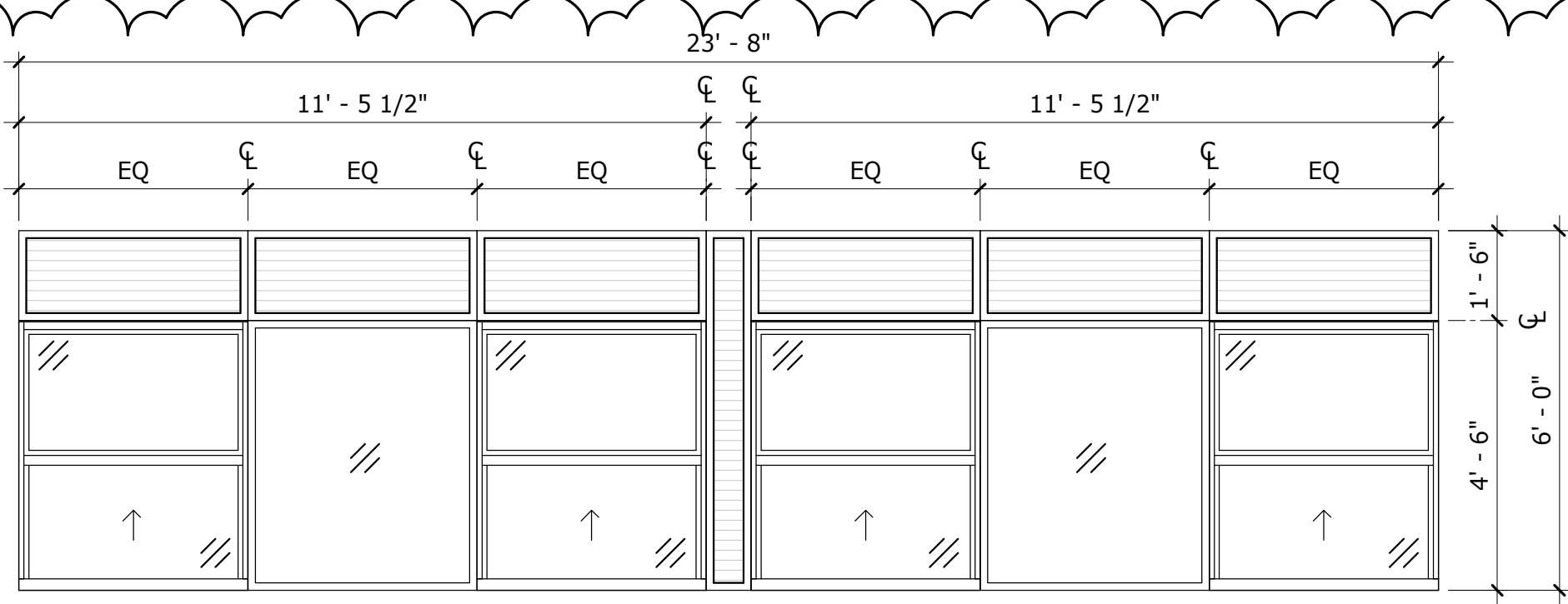
OBSCURED GLASS (G2)

METAL PANEL INFILL (M1)

SINGLE-HUNG EMERGENCY ESCAPE AND RESCUE OPENING

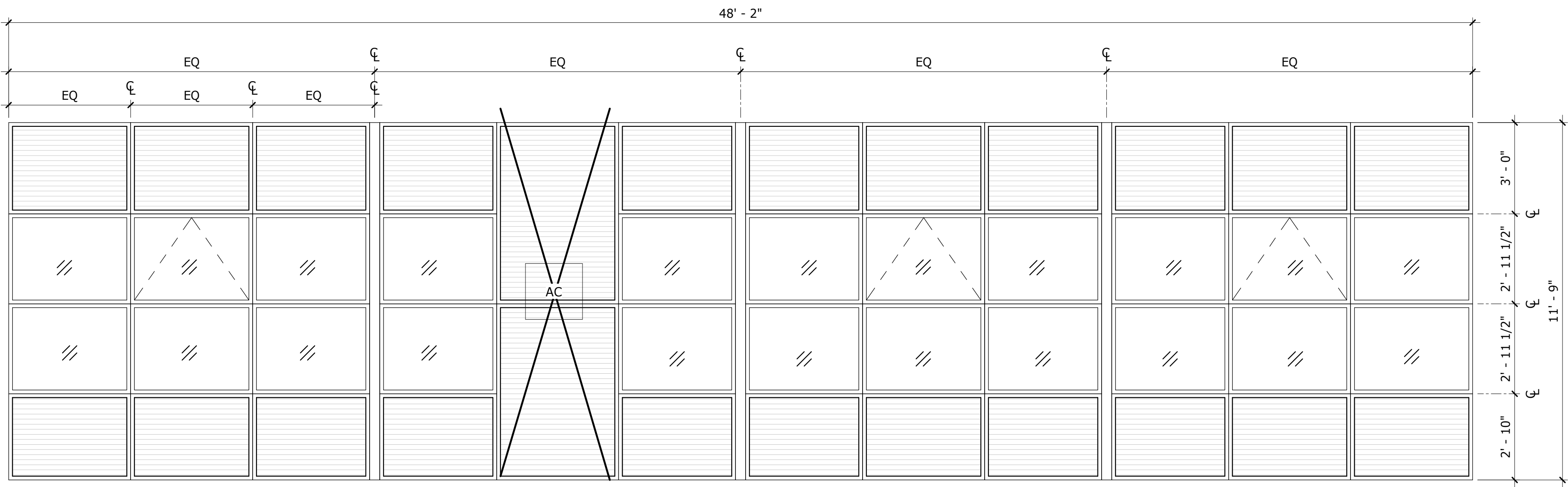
MIN CLEAR WIDTH: 20-inch
 MIN CLEAR HEIGHT: 24-inch
 MIN. NET CLEAR OPENING: 60-square inches
 BOTTOM OF CLEAR OPENING: 32 inches AFF MAX

NOTE:
 GLAZING TEMPERED WHERE REQUIRED BY CODE.

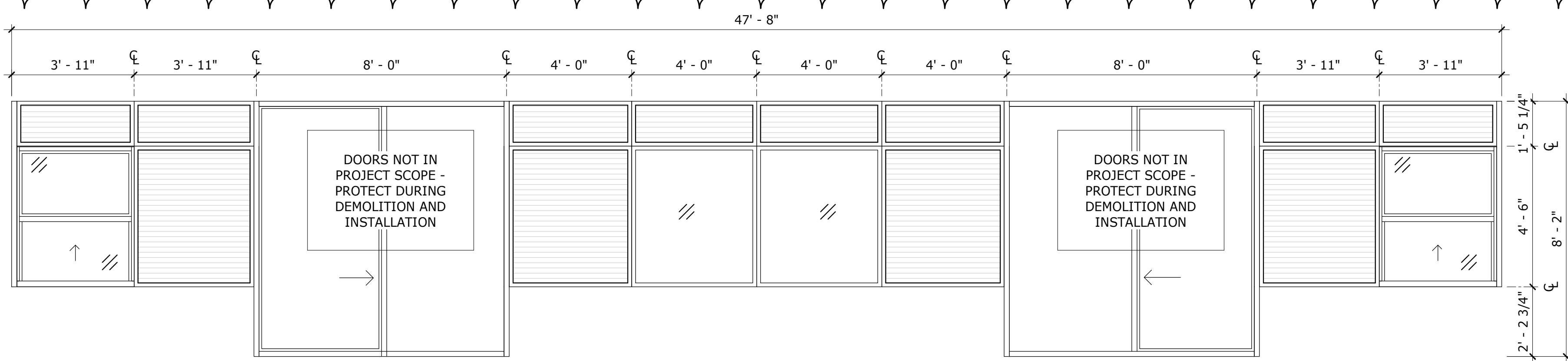


NOTE: INSULATE AND SEAL GAP BETWEEN M1 AND STUD WALL

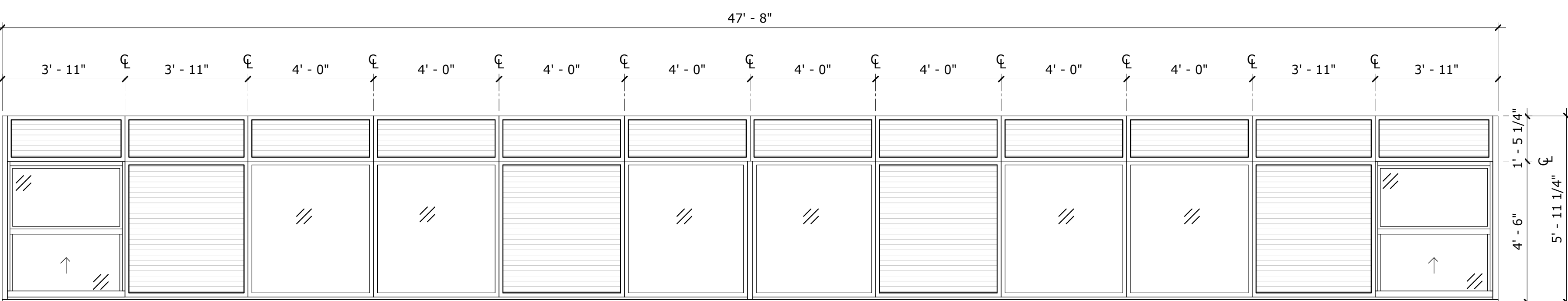
01 WINDOW H (x1)
 A112 3/8" = 1'-0"



03 WINDOW K (x1)
 A112 3/8" = 1'-0"



05 WINDOW M (x1)
 A112 3/8" = 1'-0"



07 WINDOW O (x2)
 A112 3/8" = 1'-0"