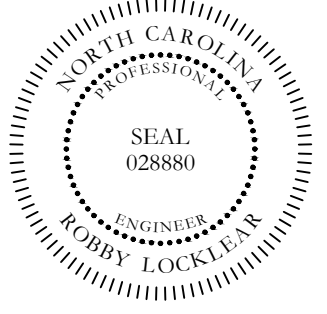
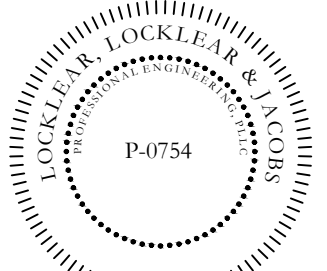


P.O. BOX 3119
PEMBROKE, NC 28372
TELEPHONE: (910)774-9306
FAX: (866)649-7235



**WALKER SPIVEY ELEMENTARY
SCHOOL COOLER ADDITION
CUMBERLAND COUNTY SCHOOLS**
500 FISHER STREET, FAYETTEVILLE, NC 28301

PRODUCT INFORMATION:

REVISION - DESCRIPTION:

DATE: 5/17/2022
DRAWN BY: CRC
CHECKED BY: RL

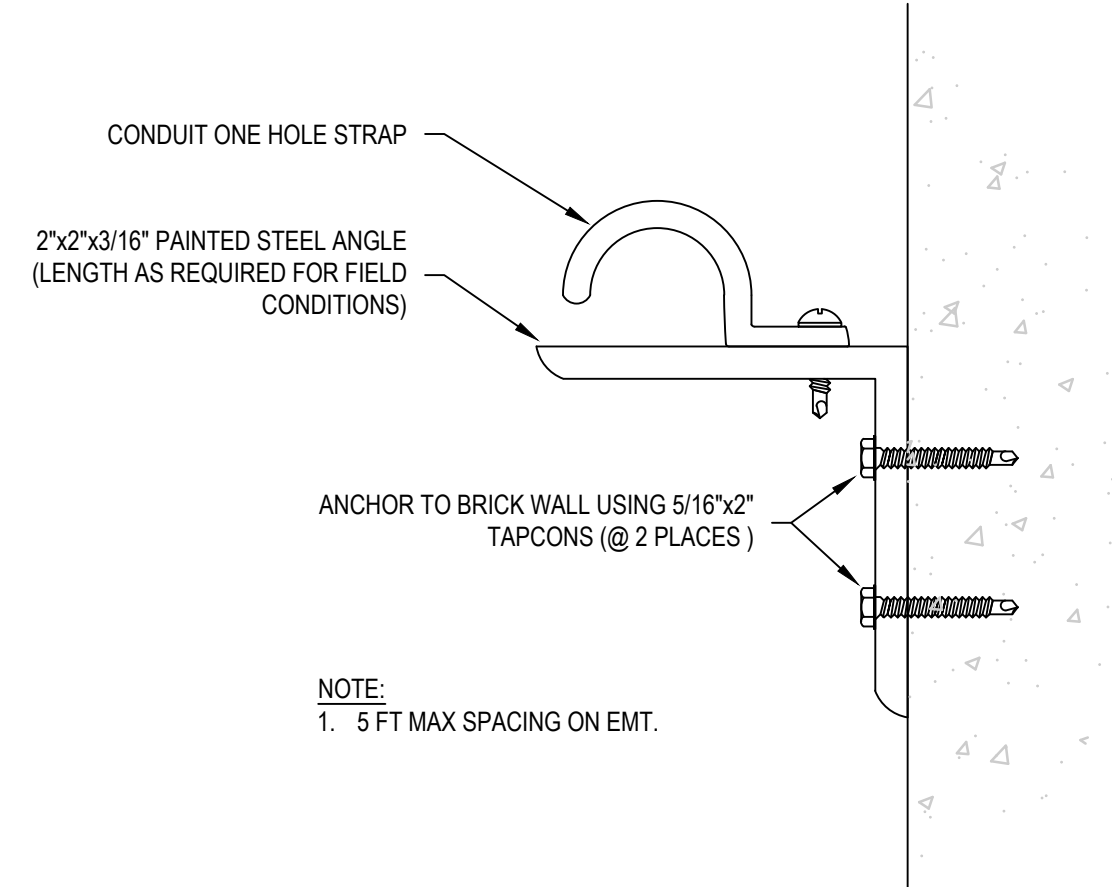
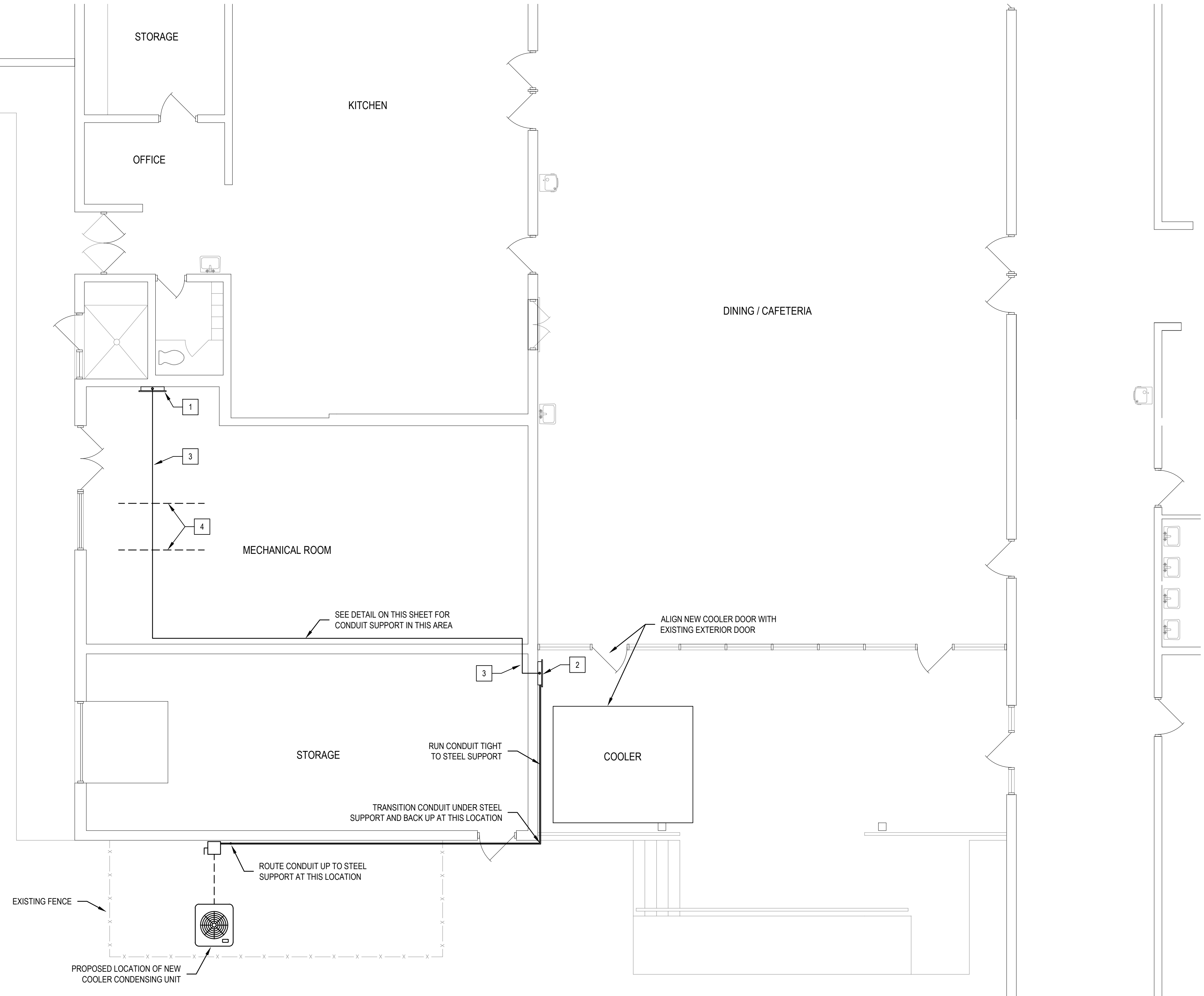
SHEET TITLE

**ELECTRICAL
POWER PLAN**

SHEET NUMBER

EP101

PROJECT# 21-11110



CONDUIT SUPPORT BRACKET DETAIL
NTS

ELECTRICAL SYMBOL LEGEND	
SYMBOL	DESCRIPTION
	ELECTRICAL PANEL
	DISCONNECT

- ELECTRICAL KEY NOTES:**
- 1 EXISTING SQUARE D 1600 AMP, 120/208V, 3 PHASE MDP. ELECTRICAL CONTRACTOR TO INSTALL KA36200 BREAKER TO FEED NEW 200 AMP, 3 PHASE PANEL.
 - 2 NEW 200 AMP, 120/208V, 3 PHASE PANEL.
 - 3 (3) 3/0 AWG CU AND (1) #6 CU GROUND IN 2" EMT.
 - 4 EXISTING TANK SUPPORT ANGLE IN CEILING (USE TO SUPPORT NEW 2" CONDUIT)

- IMPORTANT ELECTRICAL NOTES:**
- 1. COOLER SUPPLIER IS RESPONSIBLE FOR ALL ELECTRICAL FROM NEW 200 AMP PANEL TO NEW COOLER, CONDENSING UNIT, ETC. THIS INCLUDES PROVIDING AND INSTALLING REQUIRED BREAKERS IN NEW 200 AMP PANEL. COORDINATE PANEL TYPE/MODEL WITH ELECTRICAL CONTRACTOR.
 - 2. CONDUIT TO BE EMT WITH MAX SUPPORT SPACING OF 5 FT OC.